



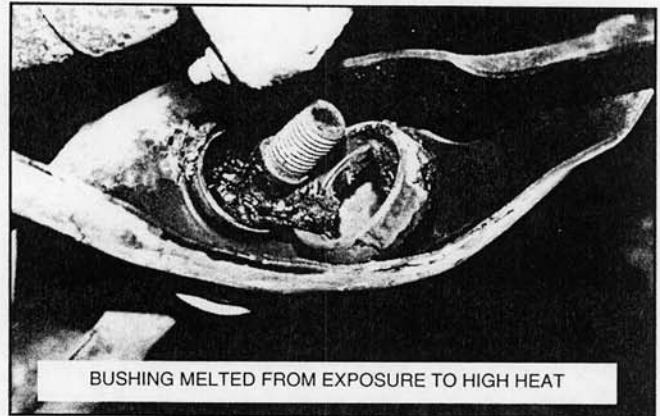
PROBLEM

SOLVER

K8729 RADIUS ARM BUSHING HEAT DEFLECTOR

PROBLEM

The right side radius arm bushing can be subjected to high heat from the catalytic converter. Service life varies, but bushing failure can often be directly attributed to high heat, as seen in the accompanying photograph. Some vehicles are manufactured with an OEM heat shield. This shield is a thin aluminized steel which can deteriorate and expose the bushing to excessive heat. In high rust areas the original shield may deteriorate to the point of falling off.

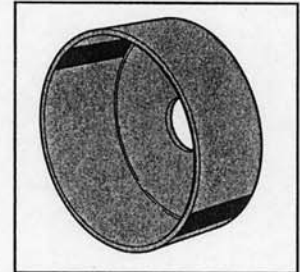


SOLUTION

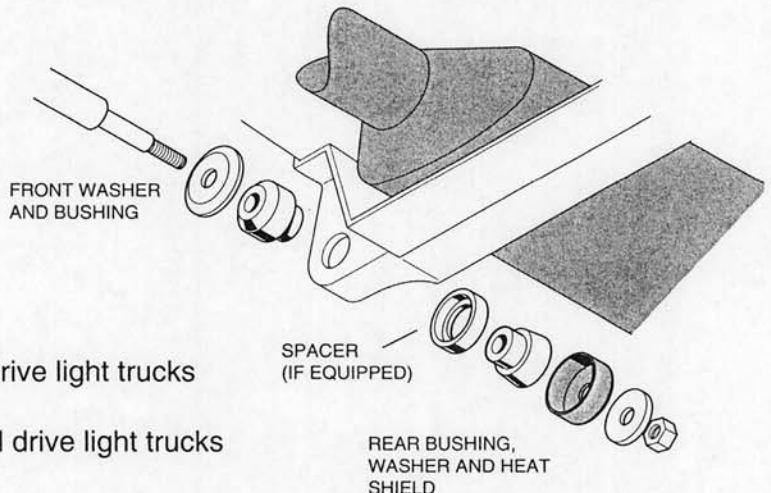
The Moog K8729 heat shield is 20 gauge stainless steel which will provide a much longer service life. The shield is both thicker and of a more rust resistant material than the original.

Note: A heat shield may be installed whenever there is a concern about heat generated from the converter.

K8729



EXPLODED VIEW OF RIGHT SIDE RADIUS ARM BUSHING AND SHIELD



APPLICATION

- 1996-85 Various Ford two and four wheel drive light trucks and sport utility vehicles.*
- 1996-83 Various Mazda two and four wheel drive light trucks and sport utility vehicles.*

* check catalog listing for specific application.