



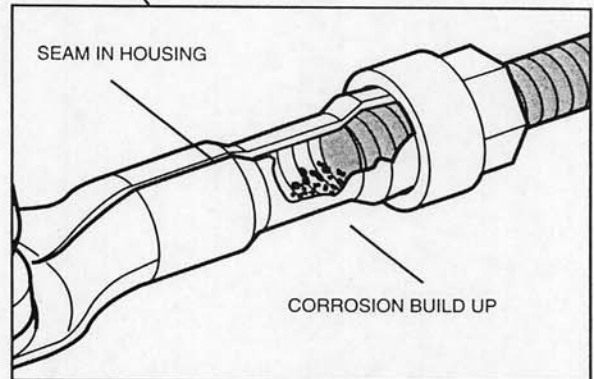
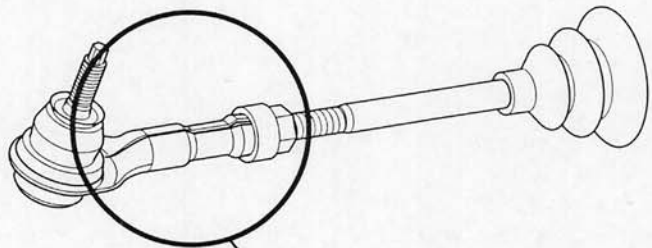
# PROBLEM

# SOLVER

## ES3173RL OUTER TIE ROD DODGE-PLYMOUTH NEON

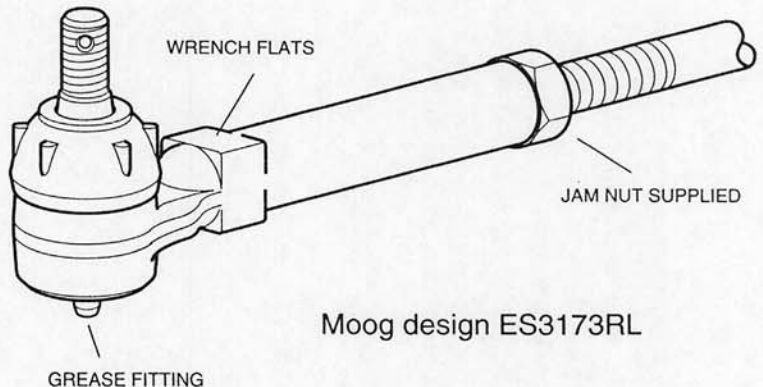
### PROBLEM

The original outer tie rod from the factory uses a stamped steel housing. This housing has a seam at the top which can allow water to enter and collect in the cavity for toe adjustment. A corrosion build up in this area can make wheel alignment difficult. The original tie rod also uses a plastic bearing and is not greasable which can affect its service life.



### SOLUTION

The Moog design utilizes a solid forged housing, eliminating the seam, and is greasable to help extend service life. This design also uses a traditional type castellated nut and cotter pin to ease installation.



Moog design ES3173RL

### APPLICATION

1997-95 Dodge and Plymouth Neon

