



# TECHNICAL SERVICE BULLETIN

NO. 2007

## APPLICATION

All Jeep Vehicles with a Type O Front Prop Shaft

## PART NUMBER

Type O Shafts	
852	853
854	912

## SUBJECT

Vibration and/or Shaft Drop Out

## CONDITION

These shafts have an adjustable length and NEED to be ADJUSTED to the individual vehicle's ride height. See figure 1. A shaft that has been in use for a long time cannot be readjusted and must be replaced.

## SOLUTION

After installation, with the vehicle suspension loaded, turn the wheels left to right lock several times leaving the wheels pointed straight ahead. Now measure the CV joint boot as indicated in figure 1. The shaft end of the boot must be in its groove. Now loosen the adjusting nut and the shafts will slide in or out to achieve the 5.61-inch distance of the boot. Then torque the adjusting nut to 85 foot-pounds.

This MUST be done to any new or R&R'd Prop Shaft installed on Jeep Vehicles. The suspension ride height will not be the same on any two vehicles and needs to be set on each Prop Shaft.

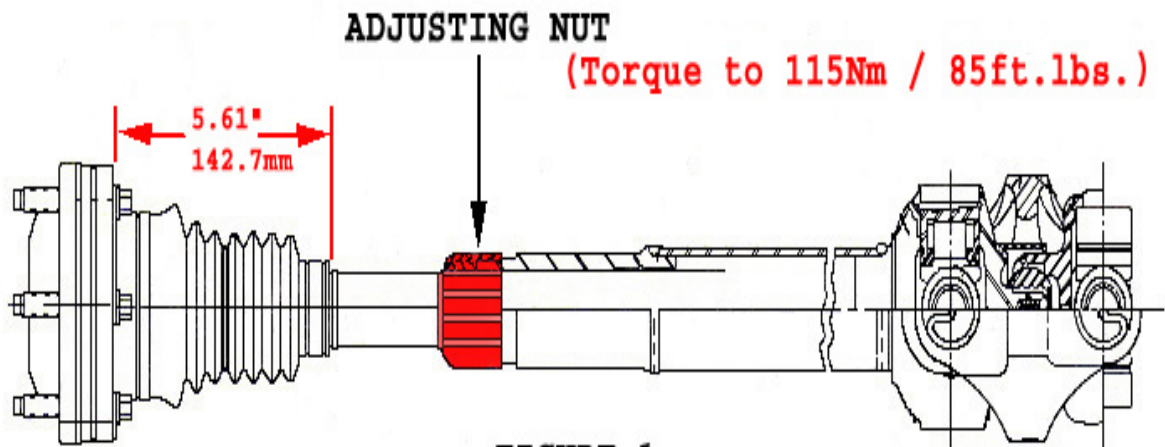


FIGURE 1

© TECH BULLETIN SUPPLIED BY:



TOLL FREE TECH LINE (888) 726-2234