

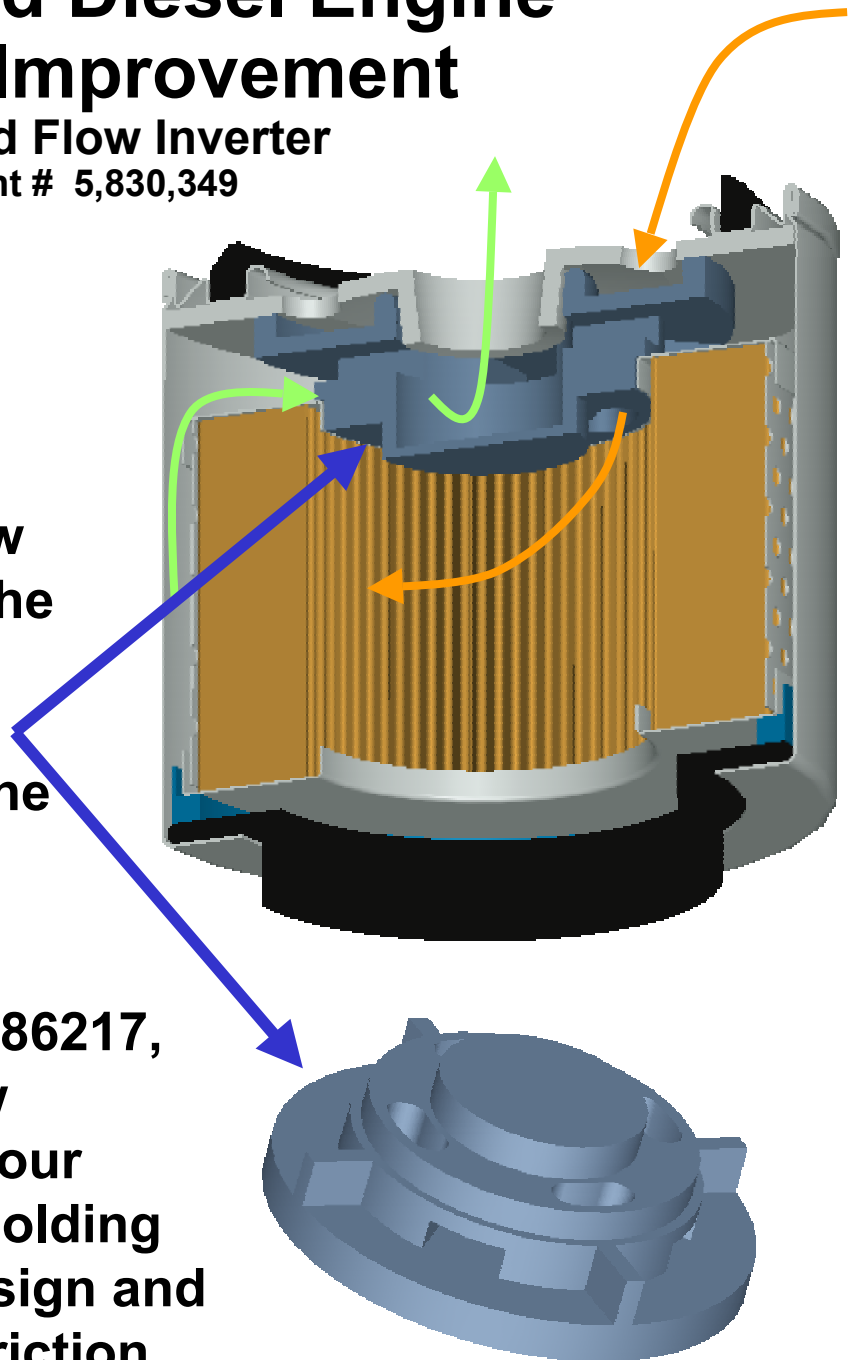
# PRODUCT & ENGINEERING BULLETIN

## CARQUEST Fuel Filter 86217 for 7.3L Ford Diesel Engine Product Improvement

Patented Flow Inverter  
Patent # 5,830,349

Patented Flow Inverter allows Dirty Fuel to flow to the inside, through the media to the outside of the filter then up the outlet in the center of the filter.

The CARQUEST Filter 86217, with the Patented Flow Inverter, allows up to four times as much water holding capacity as the OE Design and has a lower initial restriction.



86217 also available in Master Pack - 86217MP

#99-2 3-8-99 Wix-HD



## Heavy Duty Filters

Superior By Design™



WIX FILTRATION PRODUCTS DIVISION  
HEAVY DUTY FILTERS